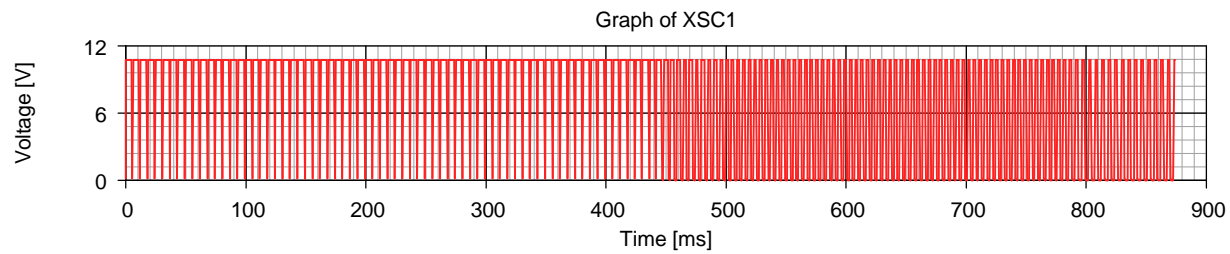
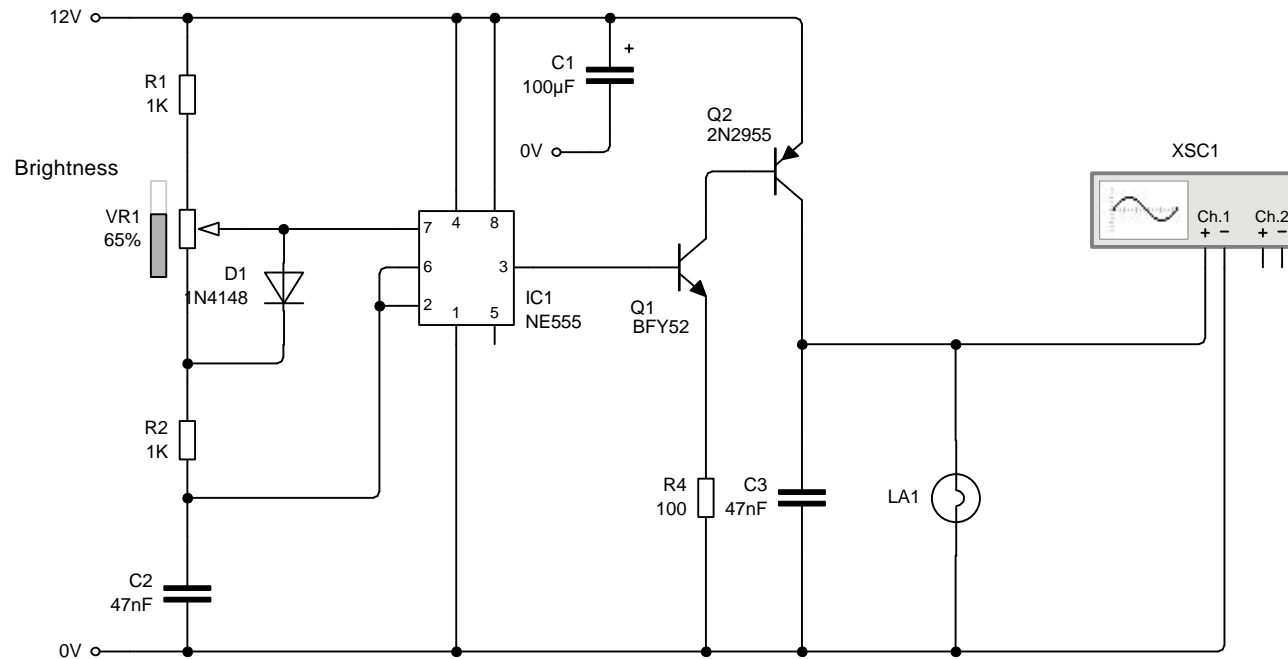


12v LIGHT DIMMER



This circuit will vary the brightness of a 12v lamp or other device up to a maximum of about 2 amps. Q2 should be mounted on a heatsink especially when driving high currents. The duty cycle is about 3 to 98 running at approximately 250Hz.