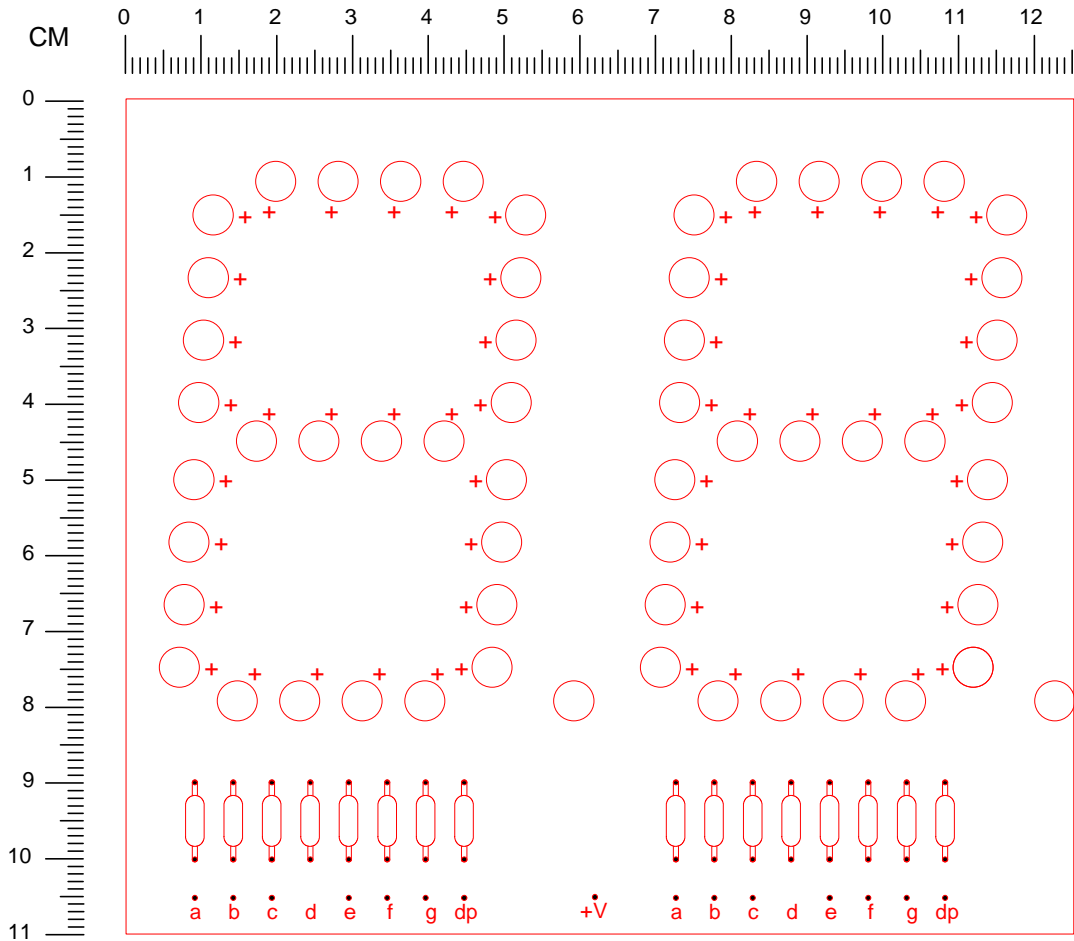


LARGE 7-SEGMENT DISPLAY MODULE - Designed by Phil Townshend

This is a very useful 7-segment display module. It is currently sized at 68mm in height but can be resized up or down by 200% if different sized LED's are used. The height can range from around 35mm to 150mm.

The display is set to common anode for driving with transistors. LED's are wired 2 in series and then 2 sets in series. Allowing 20mA per LED, the resistor required for each segment will be: $(\text{Supply voltage} - 4) / 0.04$ in ohms. The minimum voltage used should be around 6 volts.

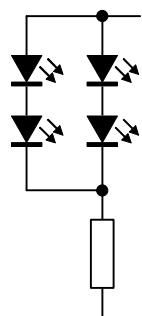
The decimal point is a single LED where the resistor value will be $(\text{Supply voltage} - 2) / 0.02$ in ohms.



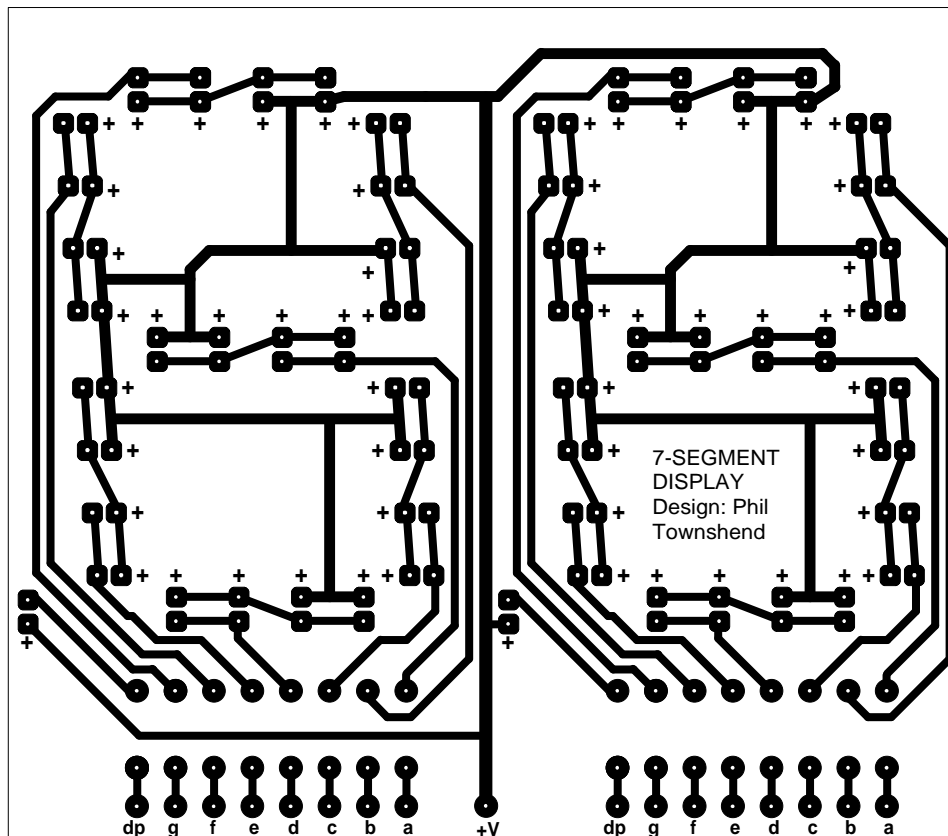
Use LED's from 3 - 10mm dependant on the size of display. Resize this page using a photocopier

Displays can be cascaded to build up more digits.

Each segment has 2 LED's in series then paired up.



Segments a-g



UNDERSIDE VIEW