

**HEX BUFFER/CONVERTERS**

**4009UB—INVERTING TYPE**

**4010B—NON INVERTING TYPE**

- CMOS TO DTL/TTL HEX CONVERTER
- HIGH-TO-LOW LEVEL LOGIC CONVERSION
- MULTIPLEXER: 1-TO-6 OR 6-TO-1
- HIGH "SINK" AND "SOURCE" CURRENT CAPABILITY
- 5V, 10V AND 15V PARAMETRIC RATINGS
- MAXIMUM INPUT CURRENT OF 100  $\mu$ A AT 18V OVER FULL
- PACKAGE AND TEMPERATURE RANGE; 100nA AT 18V AND 25°C
- 100% TESTED FOR QUIESCENT CURRENT AT 20V
- MEETS ALL REQUIREMENTS OF JEDEC TENTATIVE STANDARD N. 13A, "STANDARD SPECIFICATIONS FOR DESCRIPTION OF B SERIES CMOS DEVICES"

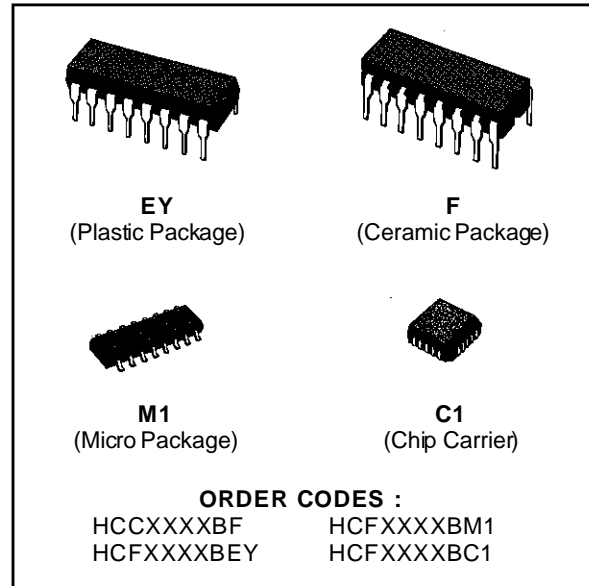
non-inverting Hex Buffer/Converters, respectively. Both devices can be used as CMOS to TTL or DTL logic-level converters, as current "sink" or "source" drivers or as multiplexer (1 to 6).

**4049UB** and **4050B** are preferred replacements for **4009UB** and **4010B**, respectively, in buffer applications.

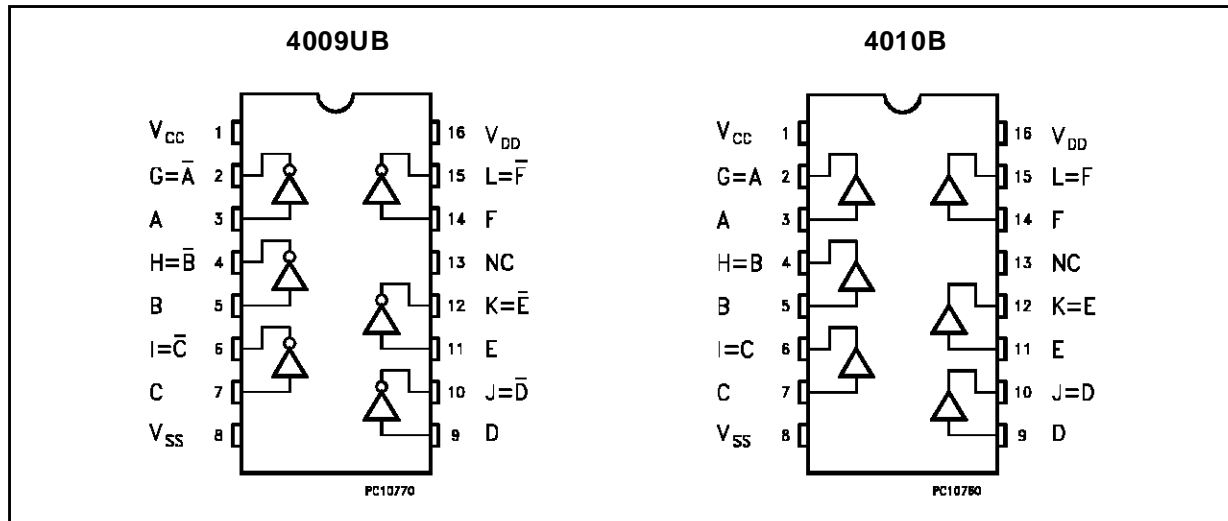
**DESCRIPTION**

The **HCC4009UB/4010B** (extended temperature range) and the **HCF4009UB/4010B** (intermediate temperature range) are monolithic integrated circuits available in 16-lead dual in line plastic or ceramic packages and plastic micropackage.

The **HCC/HCF4009UB/4010B** are inverting and

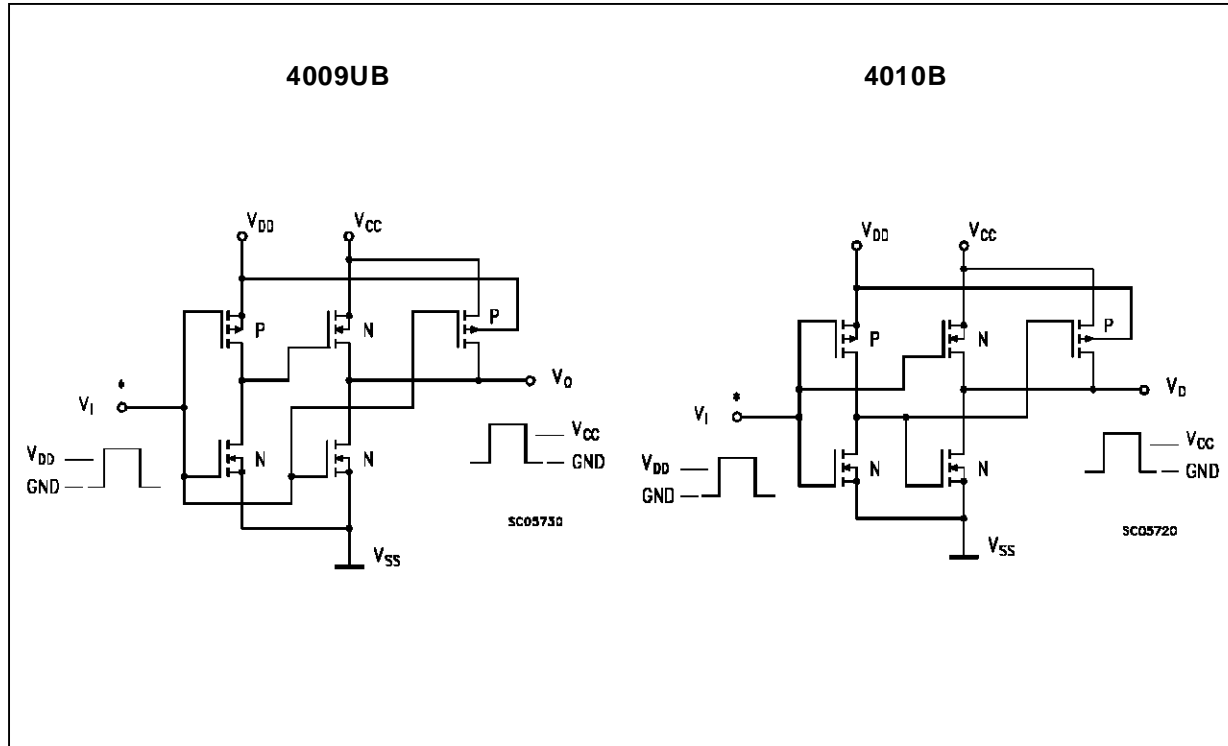


**PIN CONNECTIONS**



# HCC/HCF4009UB HCC/HCF4010B

## SCHEMATIC DIAGRAM: COS/MOS TO DTL OR TTL CONVERTER (1 of 6 identical units)



Connect  $V_{CC}$  to DTL or TTL supply and  $V_{DD}$  to COS/MOS supply

### ABSOLUTE MAXIMUM RATING

Symbol	Parameter	Value	Unit
$V_{DD}^*$	Supply Voltage: <b>HCC</b> Types <b>HCF</b> Types	-0.5 to +20	V
		-0.5 to +18	V
$V_i$	Input Voltage	-0.5 to $V_{DD} + 0.5$	V
$I_i$	DC Input Current (any one input)	$\pm 10$	mA
$P_{tot}$	Total Power Dissipation (per package) Dissipation per Output Transistor for $T_{op}$ = Full Package Temperature Range	200	mW
		100	mW
$T_{op}$	Operating Temperature: <b>HCC</b> Types <b>HCF</b> Types	-55 to +125	$^{\circ}\text{C}$
		-40 to +85	$^{\circ}\text{C}$
$T_{stg}$	Storage Temperature	-65 to +150	$^{\circ}\text{C}$

Stresses above those listed under "Absolute Maximum Ratings" may cause permanent damage to the device. This is a stress rating only and functional operation of the device at these or any other conditions above those indicated in the operational sections of this specification is not implied. Exposure to absolute maximum rating conditions for external periods may affect device reliability.

\* All voltage values are referred to  $V_{SS}$  pin voltage.

### RECOMMENDED OPERATING CONDITIONS

Symbol	Parameter	Value	Unit
$V_{DD}$	Supply Voltage: <b>HCC</b> Types <b>HCF</b> Types	3 to 18	V
		3 to 15	V
$V_i$	Input Voltage	0 to $V_{DD}$	V
$T_{op}$	Operating Temperature: <b>HCC</b> Types <b>HCF</b> Types	-55 to +125	$^{\circ}\text{C}$
		-40 to +85	$^{\circ}\text{C}$

**STATIC ELECTRICAL CHARACTERISTICS** (over recommended operating conditions)

Symbol	Parameter		Test Conditions				Value						Unit	
			V <sub>I</sub> (V)	V <sub>O</sub> (V)	I <sub>o</sub>   ( $\mu$ A)	V <sub>DD</sub> (V)	T <sub>LOW</sub> *		25 °C			T <sub>HIGH</sub> *		
							Min.	Max.	Min.	Typ.	Max.	Min.		Max.
I <sub>L</sub>	Quiescent Current	HCC Types	0/5			5		1		0.02	1		30	$\mu$ A
			0/10			10		2		0.02	2		60	
			0/15			15		4		0.02	4		120	
			0/20			20		20		0.04	20		600	
		HCF Types	0/5			5		4		0.02	4		30	
			0/10			10		8		0.02	8		60	
			0/15			15		16		0.02	16		120	
V <sub>OH</sub>	Output High Voltage	0/5			5	4.95		4.95			4.95		V	
		0/10			10	9.95		9.95			9.95			
		0/15			15	14.95		14.95			14.95			
V <sub>OL</sub>	Output Low Voltage	5/0			5		0.05			0.05		0.05	V	
		10/0			10		0.05			0.05		0.05		
		15/0			15		0.05			0.05		0.05		
V <sub>IH</sub>	Input High Voltage (4009UB)		0.5		5	4		4			4		V	
			1		10	8		8			8			
			1.5		15	12.5		12.5			12.5			
V <sub>IH</sub>	Input High Voltage (4010B)		4.5		5	3.5		3.5			3.5		V	
			9		10	7		7			7			
			13.5		15	11		11			11			
V <sub>IL</sub>	Input Low Voltage (4009UB)		4.5		5		1			1		1	V	
			9		10		2			2		2		
			13.5		15		2.5			2.5		2.5		
V <sub>IL</sub>	Input Low Voltage (4010B)		0.5		5		1.5			1.5		1.5	V	
			1		10		3			3		3		
			1.5		15		4			4		4		
I <sub>OH</sub>	Output Drive Current	HCC Types	0/5	2.5		5	-1		-0.8	-1.6		-0.58	mA	
			0/5	4.6		5	-0.25		-0.2	-0.4		-0.15		
			0/10	9.5		10	-0.55		-0.45	-0.9		-0.33		
			0/15	13.5		15	-1.65		-1.5	-3		-1.1		
		HCF Types	0/5	2.5		5	-0.9		-0.8	-1.6		-0.65		
			0/5	4.6		5	-0.23		-0.2	-0.4		-0.18		
			0/10	9.5		10	-0.5		-0.45	-0.9		-0.38		
			0/15	13.5		15	-1.6		-1.5	-3		-1.25		
I <sub>OL</sub>	Output Sink Current	HCC Types	0/5	0.4		5	3.75		3	4		2.1	mA	
			0/10	0.5		10	10		8	10		5.6		
			0/15	1.5		15	30		24	36		16		
		HCF Types	0/5	0.4		5	3.6		3	4		2.4		
			0/10	0.5		10	0.96		8	10		6.4		
			0/15	1.5		15	40		24	36		1.9		
I <sub>IH</sub> , I <sub>IL</sub>	Input Leakage Current	0/18			18		$\pm$ 0.1		$\pm$ 10 <sup>-5</sup>	$\pm$ 0.1		$\pm$ 1	$\mu$ A	
C <sub>I</sub>	Input Capacitance	4009UB	Any Input						15	22.6				
		4010B							5	7.5			pF	

\* T<sub>LOW</sub> = -55 °C for HCC device; -40 °C for HCF device.

\* T<sub>HIGH</sub> = +125 °C for HCC device; +85 °C for HCF device.

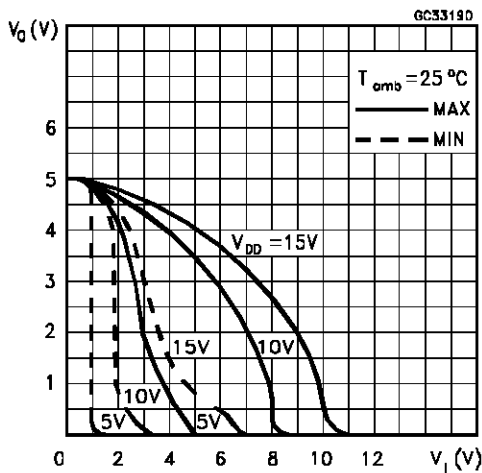
The Noise Margin for both "1" and "0" level is: 1V min. with V<sub>DD</sub> = 5 V, 2 V min. with V<sub>DD</sub> = 10 V, 2.5 V min. with V<sub>DD</sub> = 15 V

# HCC/HCF4009UB HCC/HCF4010B

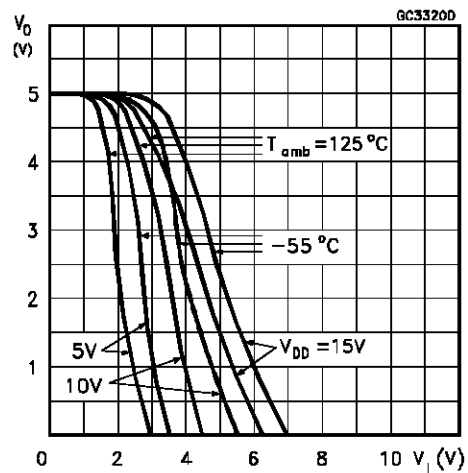
**DYNAMIC ELECTRICAL CHARACTERISTICS** ( $T_{amb} = 25\text{ }^{\circ}\text{C}$ ,  $C_L = 50\text{ pF}$ ,  $R_L = 200\text{ K}\Omega$ , typical temperature coefficient for all  $V_{DD}$  values is  $03\text{ } \%/^{\circ}\text{C}$ , all input rise and fall times =  $20\text{ ns}$ )

Symbol	Parameter	Test Conditions			Value			Unit
		$V_{DD}$ (V)	$V_I$ (V)	$V_{CC}$ (V)	Min.	Typ.	Max.	
$t_{PLH}$	Propagation Delay Time (4009UB)	5	5	5		70	140	ns
		10	10	10		40	80	
		10	10	5		35	70	
		15	15	15		30	60	
		15	15	5		30	60	
$t_{PLH}$	Propagation Delay Time (4010B)	5	5	5		100	200	ns
		10	10	10		50	100	
		10	10	5		50	100	
		15	15	15		35	70	
		15	15	5		35	70	
$t_{PHL}$	Propagation Delay Time (4009UB)	5	5	5		30	60	ns
		10	10	10		20	40	
		10	10	5		15	30	
		15	15	15		15	30	
		15	15	5		10	20	
$t_{PHL}$	Propagation Delay Time (4010B)	5	5	5		65	130	ns
		10	10	10		35	70	
		10	10	5		30	70	
		15	15	15		25	50	
		15	15	5		20	40	
$t_{TLH}$	Transition Time	5	5	5		150	350	ns
		10	10	10		75	150	
		15	15	15		55	110	
$t_{THL}$	Transition Time	5	5	5		35	70	ns
		10	10	10		20	40	
		15	15	15		15	30	

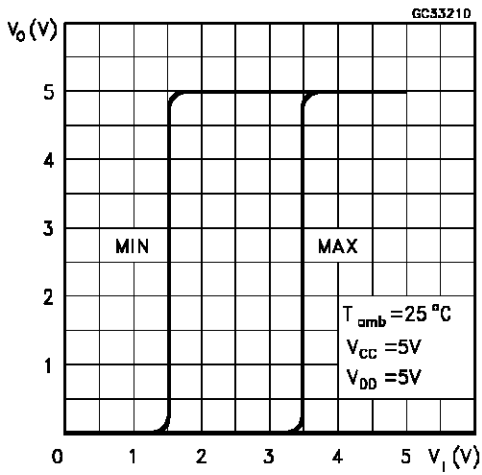
Minimum and Maximum Voltage Transfer Characteristics for 4009UB



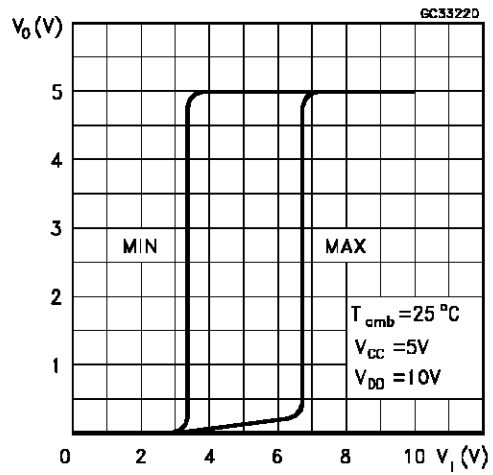
Typical Voltage Transfer Characteristics As a Function of Temperature for 4009UB



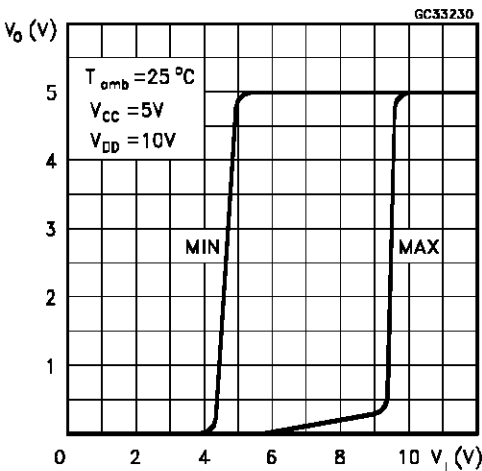
Minimum and Maximum Voltage Transfer Characteristics for 4010B



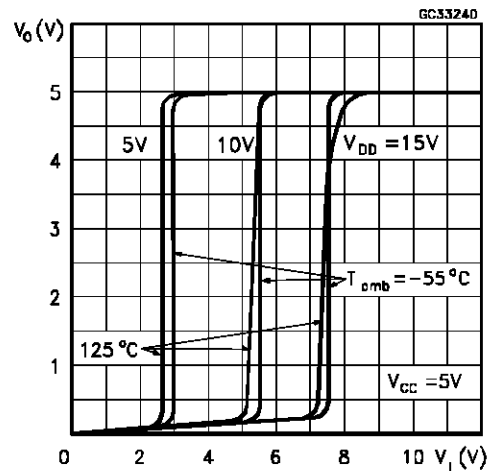
Minimum and Maximum Voltage Transfer Characteristics for 4010B



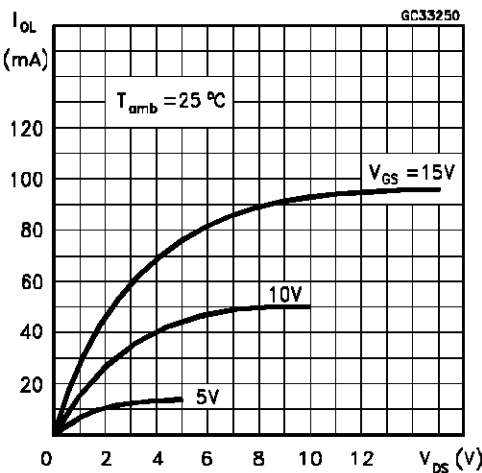
Minimum and Maximum Voltage Transfer Characteristics for 4010B



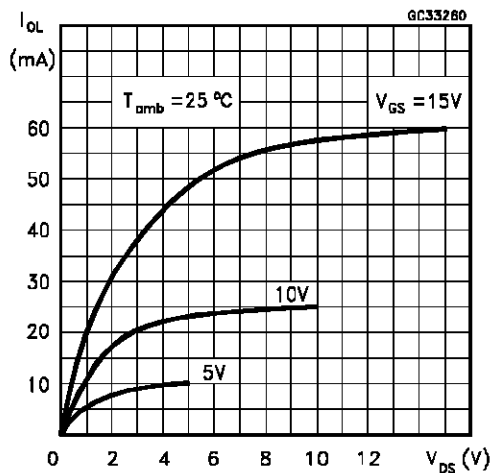
Typical Voltage Transfer Characteristics As a Function of Temperature for 4010B



Typical Output Los (sink) Current Characteristics

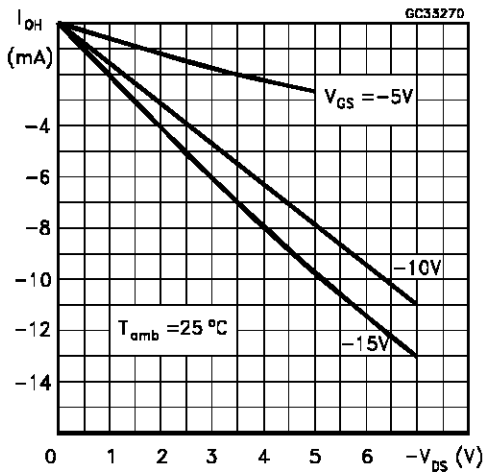


Minimum output Low (sink) Current Characteristics

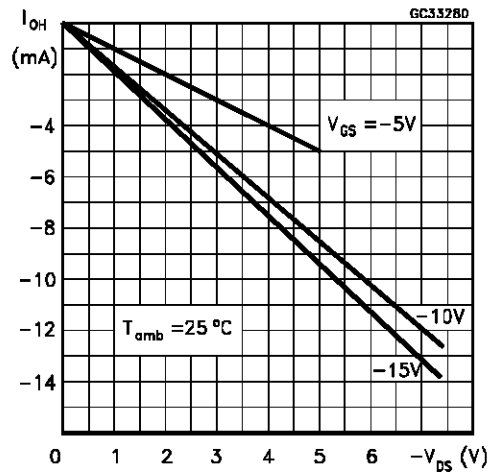


# HCC/HCF4009UB HCC/HCF4010B

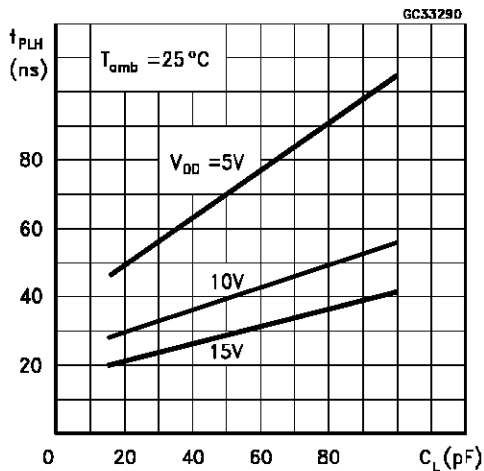
Typical Output High (source) Current Characteristics



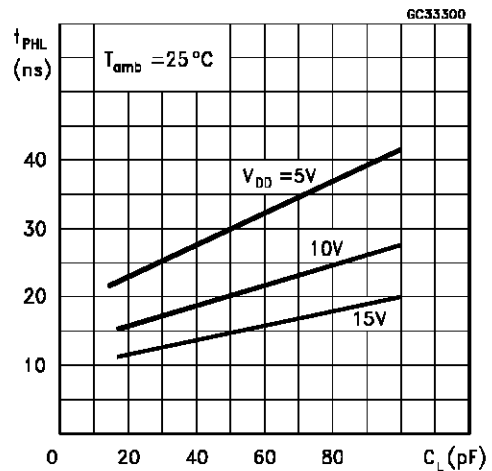
Minimum output High (source) Current Characteristics



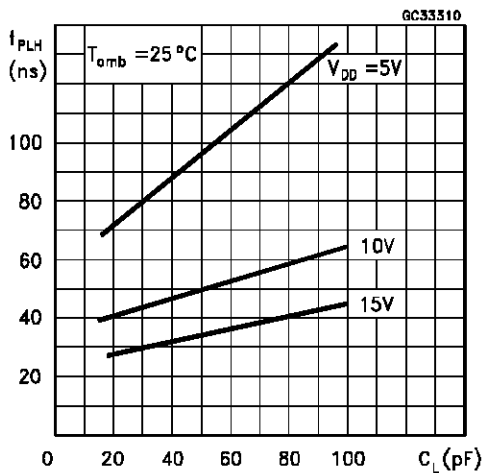
Typical Low to High Propagation Delay Time vs Load Capacitance for 4009UB



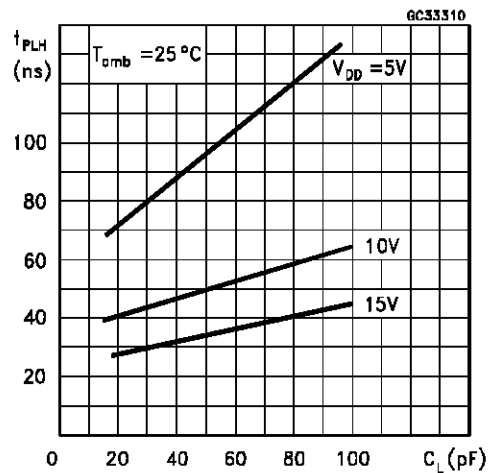
Typical High to Low Propagation Delay Time vs Load Capacitance for 4009UB



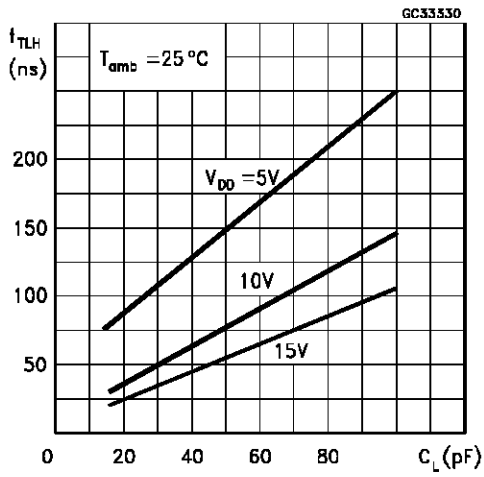
Typical Low to High Propagation Delay Time vs Load Capacitance for 4010B



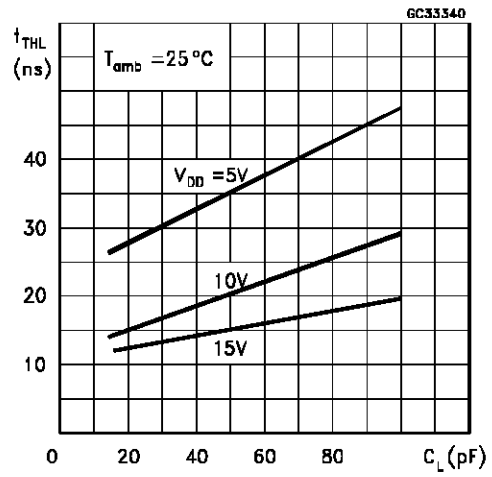
typical High to Low Propagation Delay Time vs Load Capacitance for 4010B



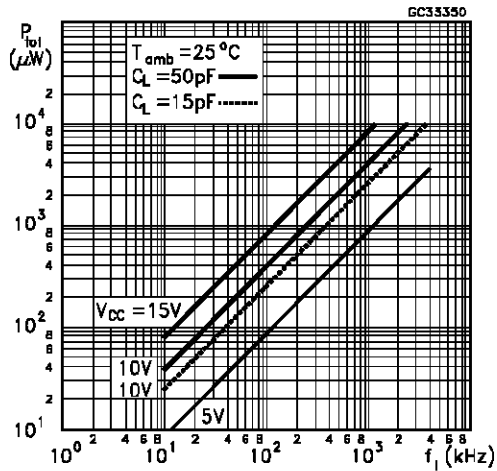
Typical Low to High Transition Time vs Load Capacitance



Typical High to Low Transition Time vs Load Capacitance

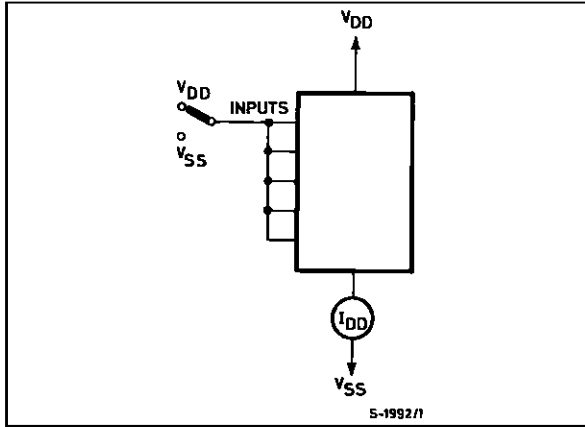


Typical Dissipation Characteristics

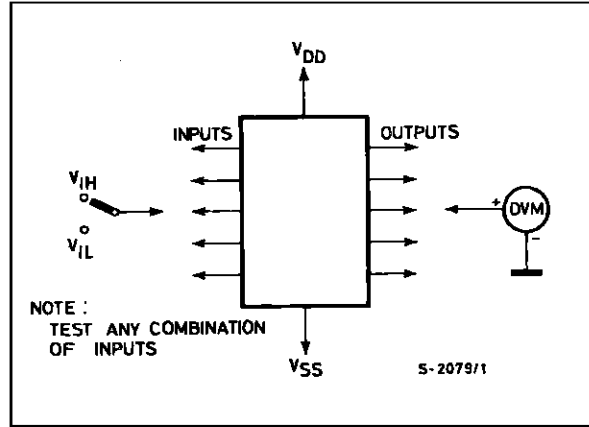


TEST CIRCUITS

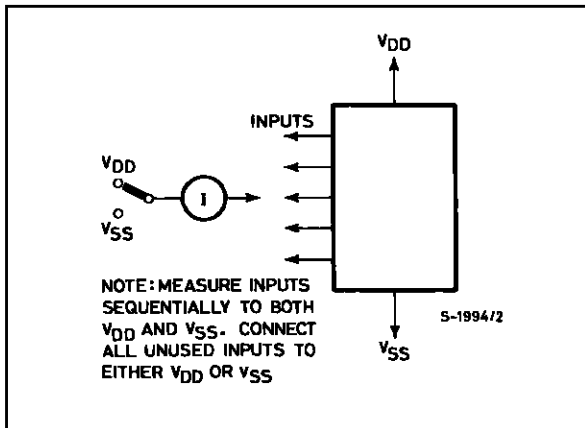
Quiescent Device Current



Noise Immunity.



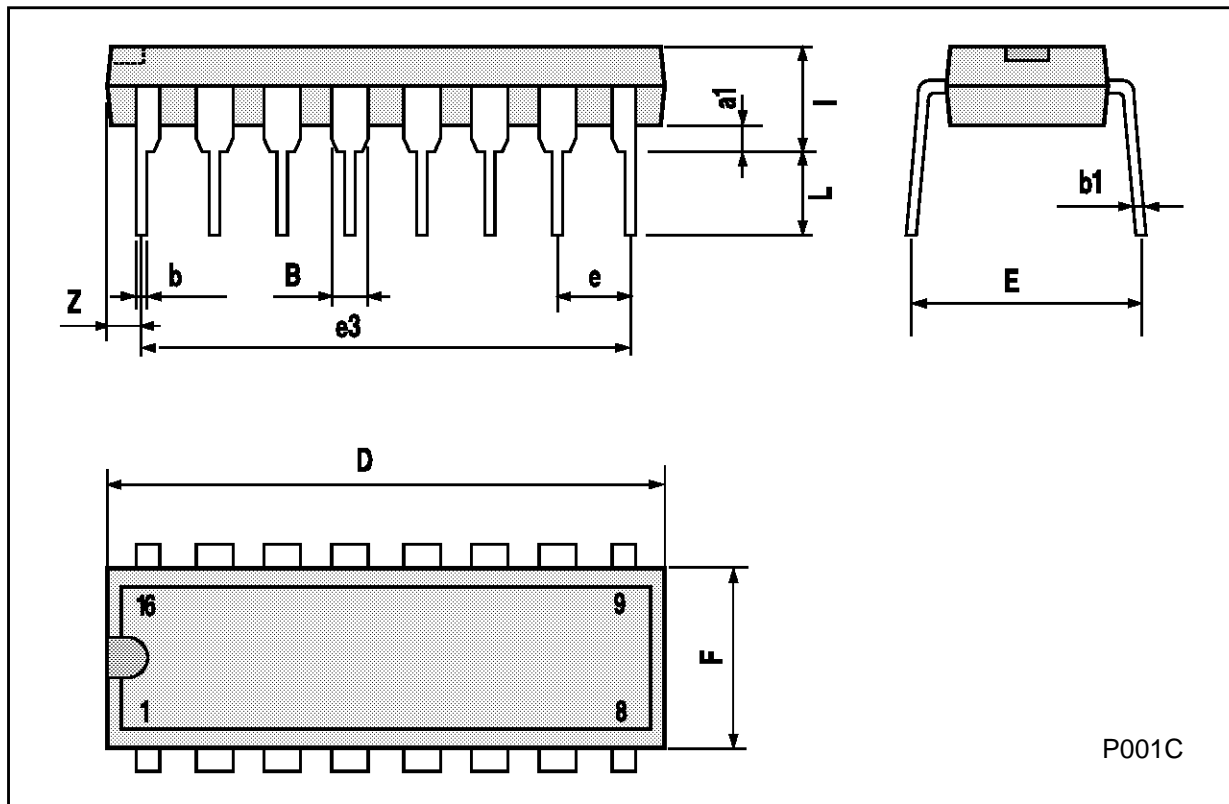
Input Leakage Current.





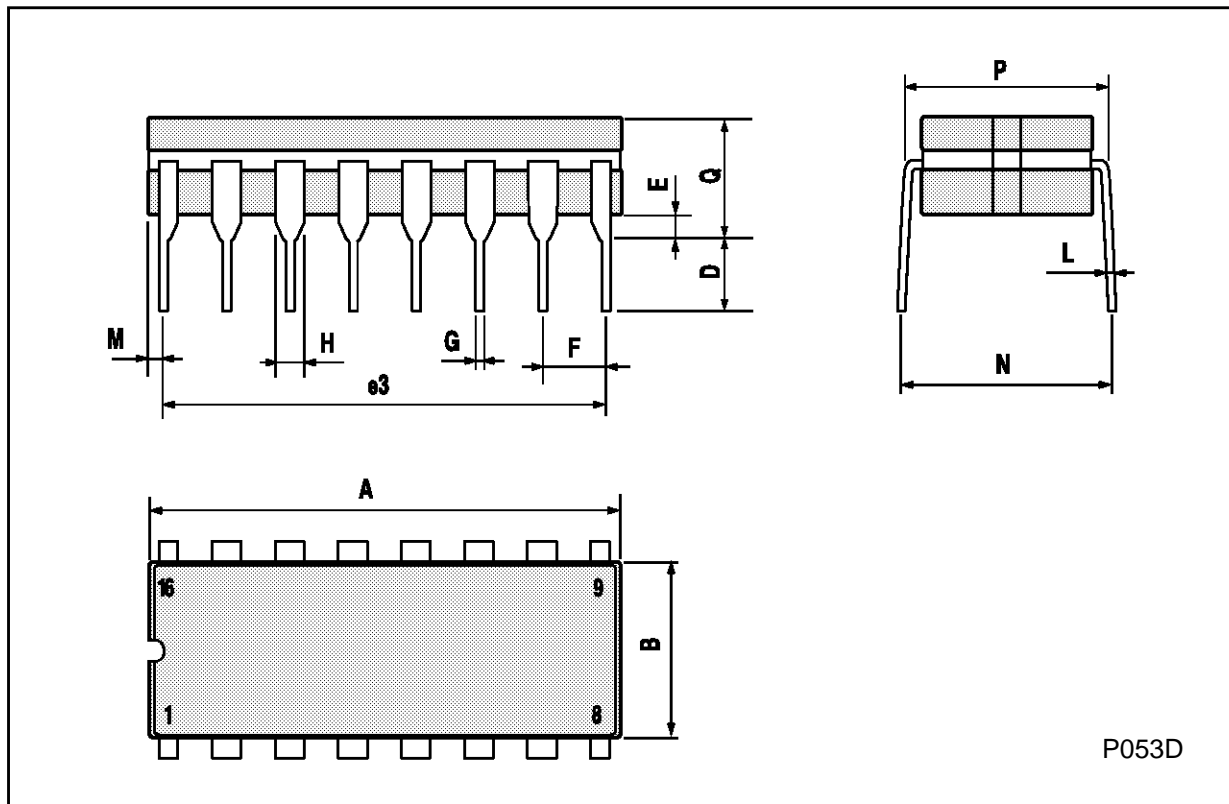
**Plastic DIP16 (0.25) MECHANICAL DATA**

DIM.	mm			inch		
	MIN.	TYP.	MAX.	MIN.	TYP.	MAX.
a1	0.51			0.020		
B	0.77		1.65	0.030		0.065
b		0.5			0.020	
b1		0.25			0.010	
D			20			0.787
E		8.5			0.335	
e		2.54			0.100	
e3		17.78			0.700	
F			7.1			0.280
I			5.1			0.201
L		3.3			0.130	
Z			1.27			0.050



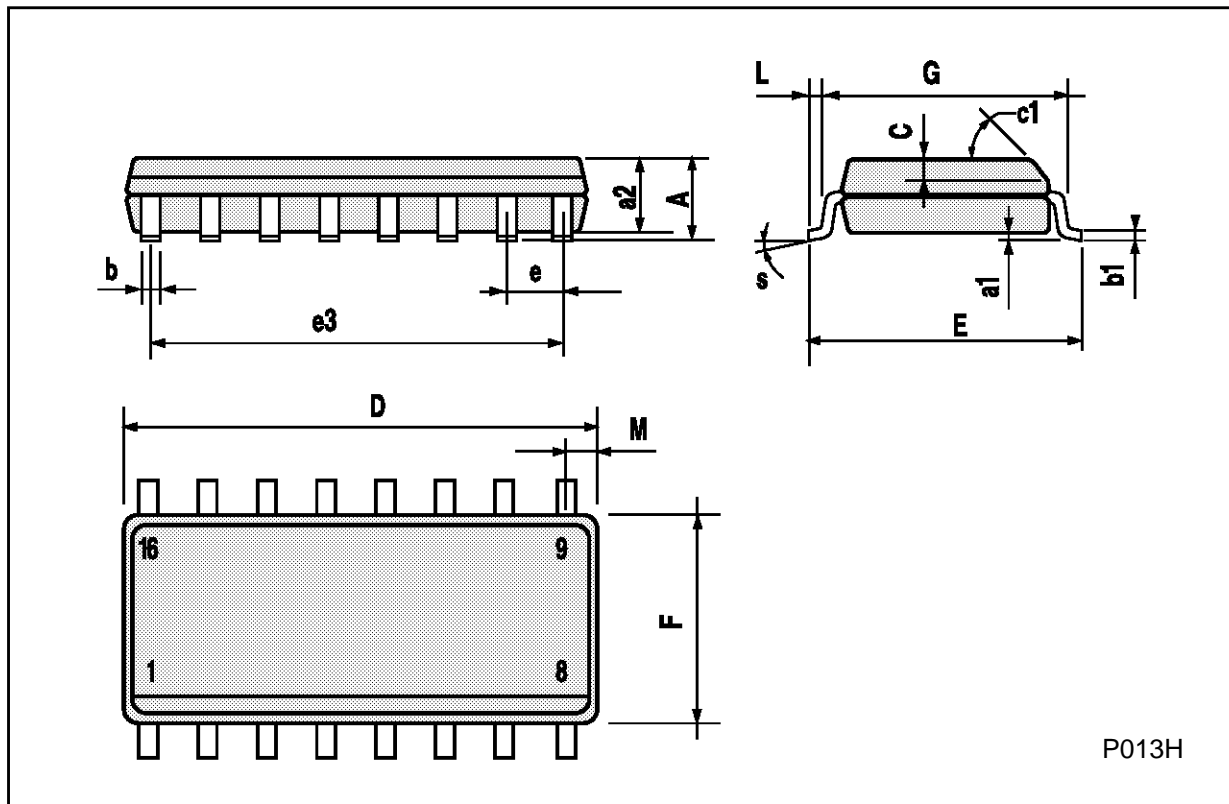
**Ceramic DIP16/1 MECHANICAL DATA**

DIM.	mm			inch		
	MIN.	TYP.	MAX.	MIN.	TYP.	MAX.
A			20			0.787
B			7			0.276
D		3.3			0.130	
E	0.38			0.015		
e3		17.78			0.700	
F	2.29		2.79	0.090		0.110
G	0.4		0.55	0.016		0.022
H	1.17		1.52	0.046		0.060
L	0.22		0.31	0.009		0.012
M	0.51		1.27	0.020		0.050
N			10.3			0.406
P	7.8		8.05	0.307		0.317
Q			5.08			0.200



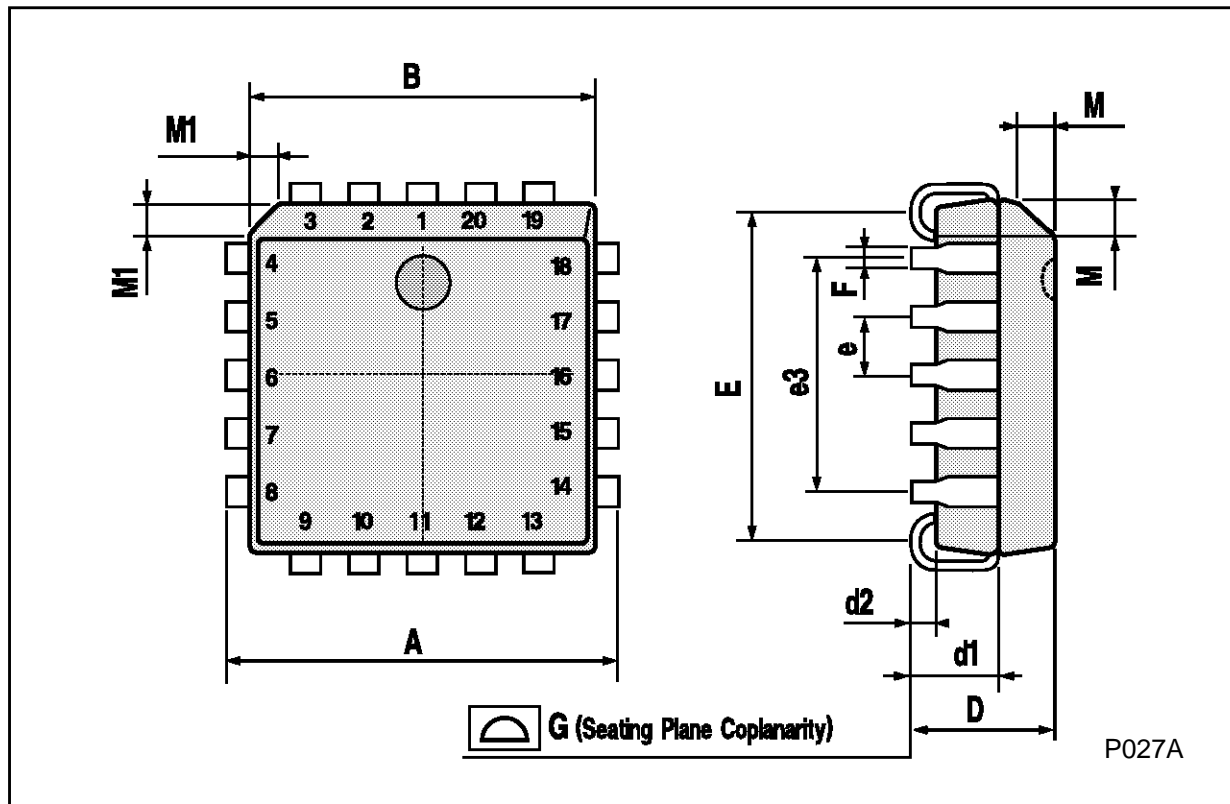
**SO16 (Narrow) MECHANICAL DATA**

DIM.	mm			inch		
	MIN.	TYP.	MAX.	MIN.	TYP.	MAX.
A			1.75			0.068
a1	0.1		0.2	0.004		0.007
a2			1.65			0.064
b	0.35		0.46	0.013		0.018
b1	0.19		0.25	0.007		0.010
C		0.5			0.019	
c1	45° (typ.)					
D	9.8		10	0.385		0.393
E	5.8		6.2	0.228		0.244
e		1.27			0.050	
e3		8.89			0.350	
F	3.8		4.0	0.149		0.157
G	4.6		5.3	0.181		0.208
L	0.5		1.27	0.019		0.050
M			0.62			0.024
S	8° (max.)					



**PLCC20 MECHANICAL DATA**

DIM.	mm			inch		
	MIN.	TYP.	MAX.	MIN.	TYP.	MAX.
A	9.78		10.03	0.385		0.395
B	8.89		9.04	0.350		0.356
D	4.2		4.57	0.165		0.180
d1		2.54			0.100	
d2		0.56			0.022	
E	7.37		8.38	0.290		0.330
e		1.27			0.050	
e3		5.08			0.200	
F		0.38			0.015	
G			0.101			0.004
M		1.27			0.050	
M1		1.14			0.045	



Information furnished is believed to be accurate and reliable. However, SGS-THOMSON Microelectronics assumes no responsibility for the consequences of use of such information nor for any infringement of patents or other rights of third parties which may result from its use. No license is granted by implication or otherwise under any patent or patent rights of SGS-THOMSON Microelectronics. Specifications mentioned in this publication are subject to change without notice. This publication supersedes and replaces all information previously supplied. SGS-THOMSON Microelectronics products are not authorized for use as critical components in life support devices or systems without express written approval of SGS-THOMSON Microelectronics.

© 1994 SGS-THOMSON Microelectronics - All Rights Reserved

SGS-THOMSON Microelectronics GROUP OF COMPANIES

Australia - Brazil - France - Germany - Hong Kong - Italy - Japan - Korea - Malaysia - Malta - Morocco - The Netherlands -  
Singapore - Spain - Sweden - Switzerland - Taiwan - Thailand - United Kingdom - U.S.A