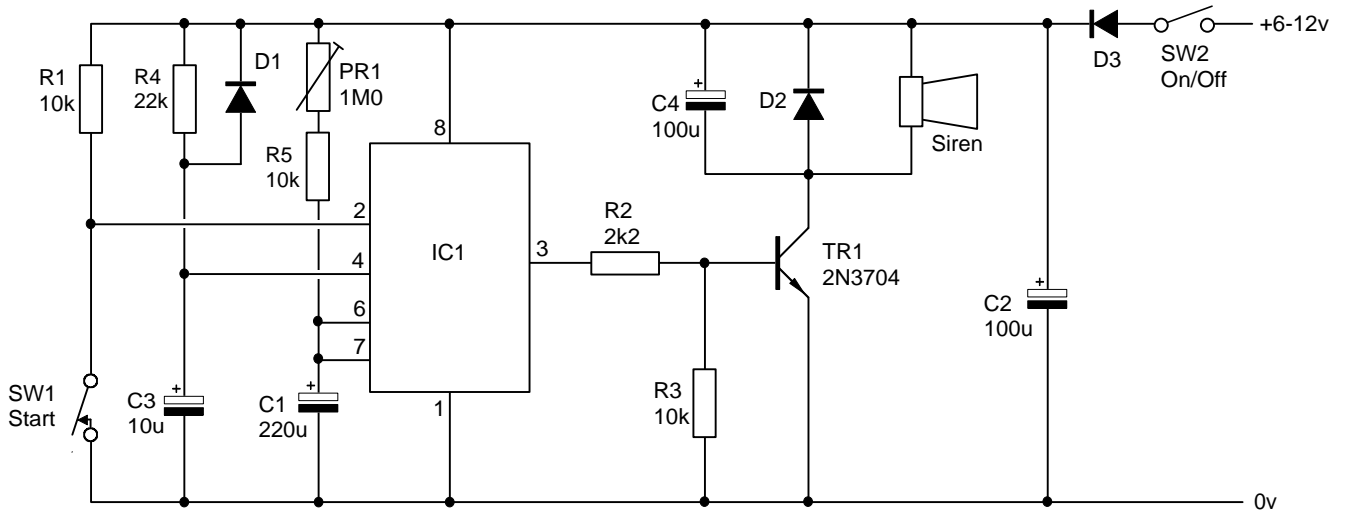
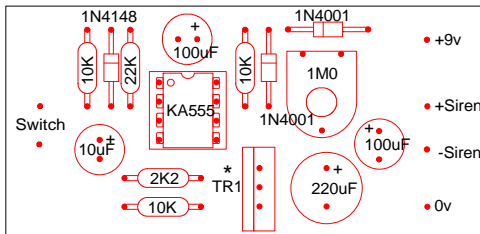


BAG ALARM - DESIGNED By PHIL 03©

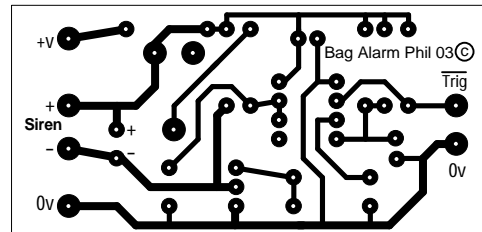


$t = 1.1 \times CR$
R = 1M, C = 100µF, t = 110 sec.

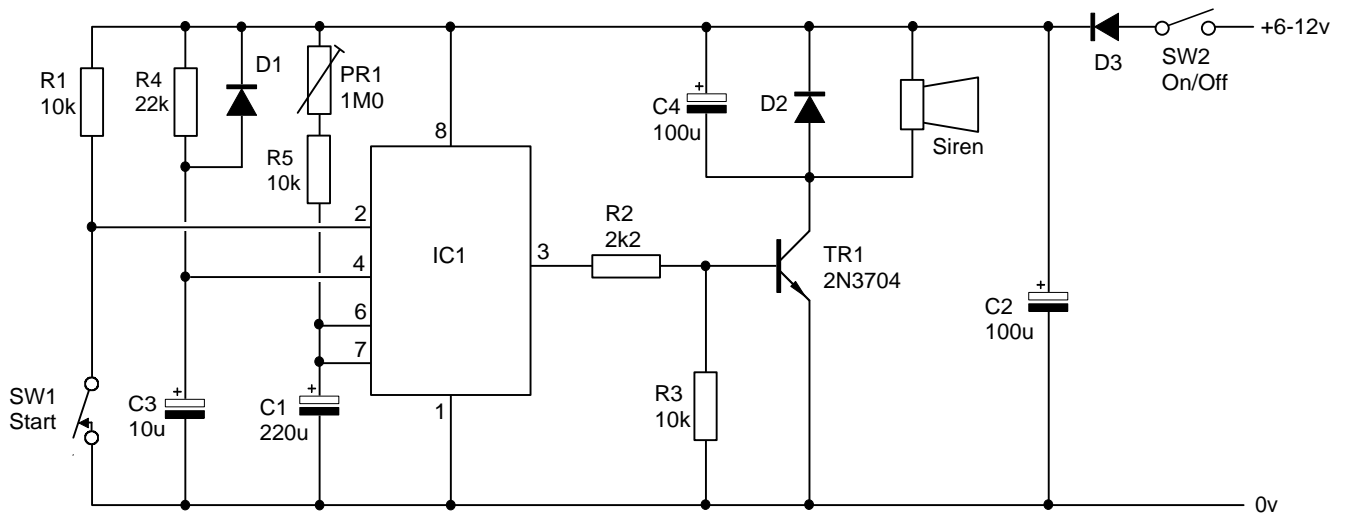
IC1 - KA555
 D1 - 1N4148
 D2,3 - 1N4001



* BC183L or TIP122

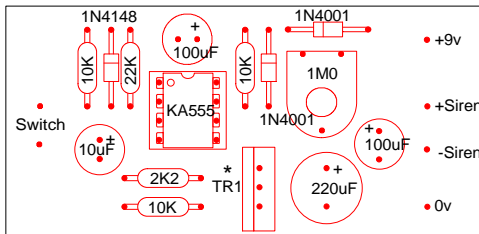


BAG ALARM - DESIGNED By PHIL 03©



$t = 1.1 \times CR$
R = 1M, C = 100uF, t = 110 sec.

IC1 - KA555
 D1 - 1N4148
 D2,3 - 1N4001



* BC183L or TIP122

