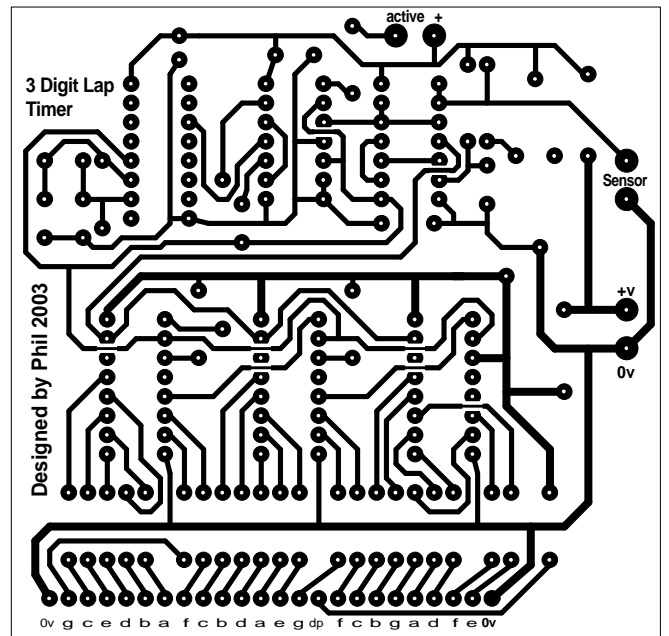
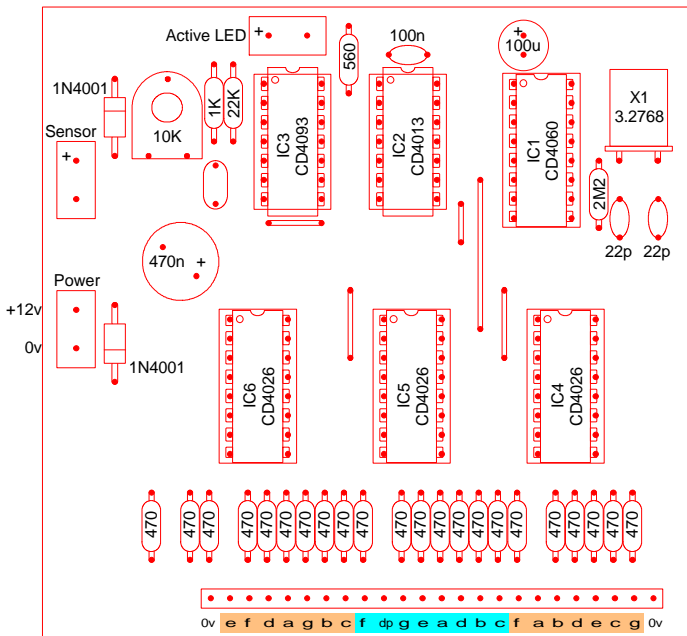


3 DIGIT LAP TIMER - Design by Phil Townshend c. 2003

PCB LAYOUT FOR REMOTE VERSION - 3 DIGIT



3 DIGIT DISPLAY DISPLAY BOARD

