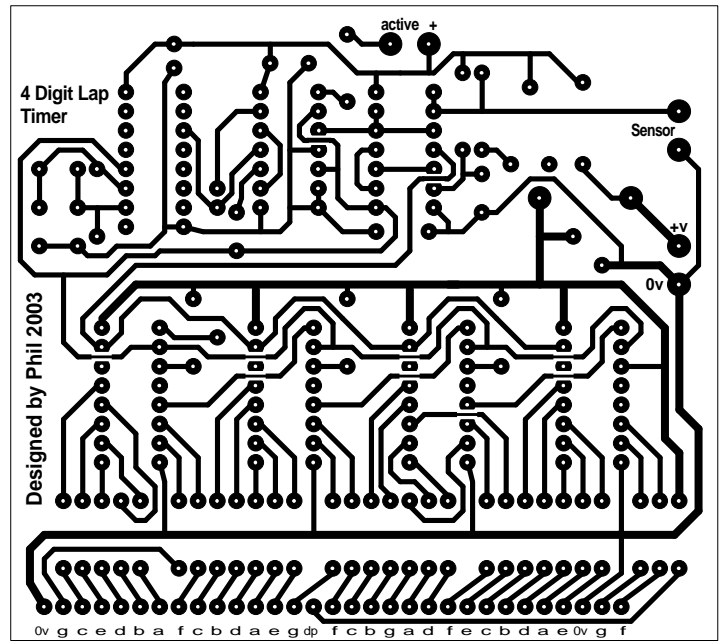
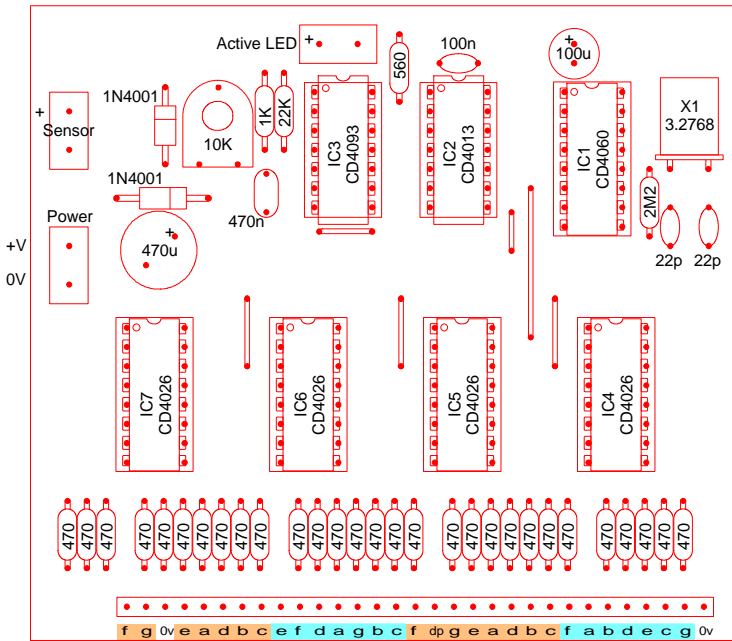


# 4 DIGIT LAP TIMER - Design by Phil Townshend c. 2003

## PCB LAYOUT FOR REMOTE VERSION- 4 DIGIT



## 4 DIGIT DISPLAY DISPLAY BOARD

