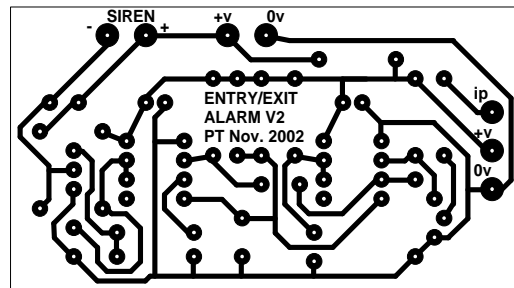
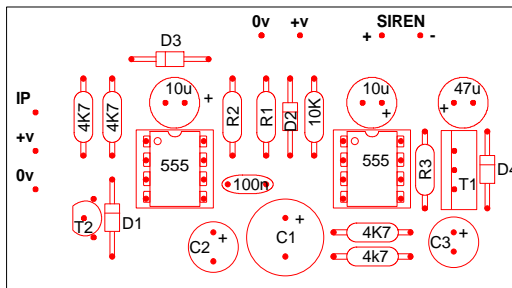
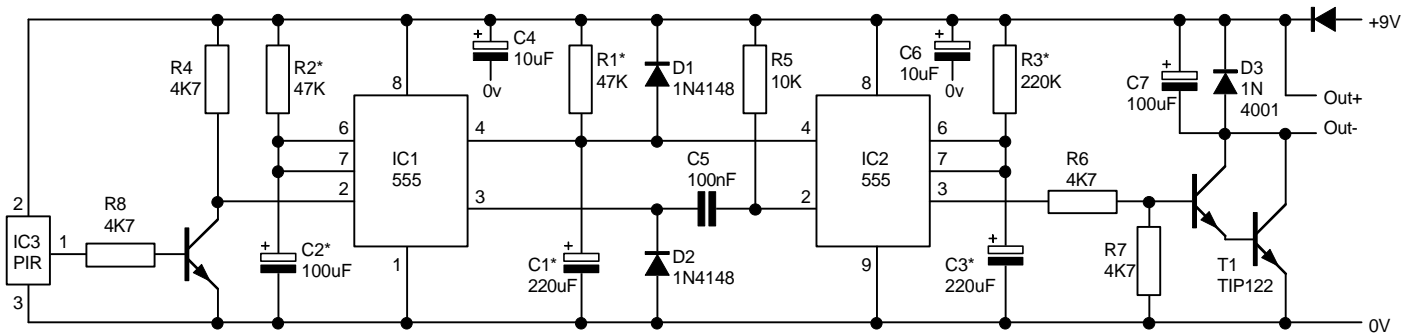


# TIMED ENTRY / EXIT / DURATION ALARM with PIR



D1,2 = 1N4148  
 D3,4 = 1N4001  
 T1 = TIP122

Exit time =  $0.4 \times C1 \times R1$   
 Entry time =  $1.1 \times C2 \times R2$   
 Alarm duration =  $1.1 \times C3 \times R3$